

DISKUS SBS

Safety is our capital concern: DISKUS SBS for all your self-service bread slicing needs

Even with the self-service machine, DISKUS SBS, TREIF remains true to its principle of slicing without blade lubrication. The DISKUS SBS slices all types of bread cleanly, even hard-crust double-baked bread. The GS-tested bread slicer has a reliable safety system that rules out the risk of injury. The self-service customer can select the cutting thickness at the press of a button. There is a choice of three cutting thicknesses.



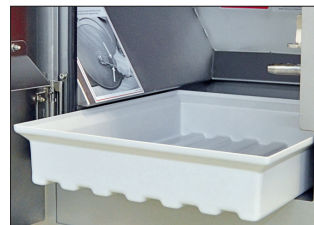
The bread just has to be placed in the machine and is then automatically gripped. The reliable safety system is the hallmark of the DISKUS SBS.



More flexibility: The universal bread slicer DISKUS SBS slices all kinds of bread.



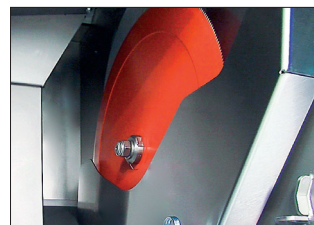
The user cannot come into contact with the blade as long as the cover is open.



An easily removable tray successfully catches all the crumbs. The crumb tray can be emptied and brushed out in no time.



The customer selects the cutting thickness between "thin" (8 mm), "medium" (10 mm) and "thick" (12 mm) at the push of a button. Other thicknesses are available on request (max. 3). After pushing the button, the machine starts automatically.



The blade guard offers safety during the cleaning. The blade guard is part of the standard equipment. It belongs automatically to the extent of delivery.



The automatic slice holder (TREIF patent) supports the slices during the slicing process, making it easier to remove the bread. It can be immediately placed into a bag. The slice holder swivels back automatically after the removal of the sliced bread.

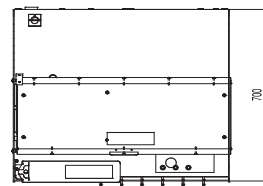
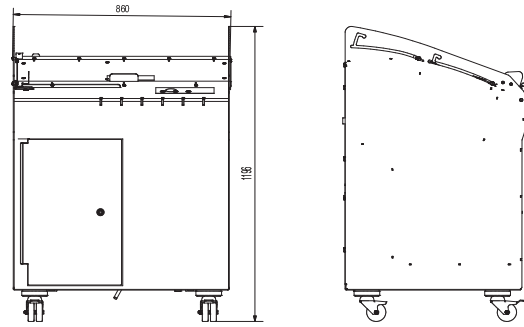


Smooth slicing thanks to planetary gearing

DISKUS SB as well as the more compact machine model DISKUS SBS have a circular blade that moves through the loaf with a very long cutting length, thanks to the planetary gearing. This creates a more precise, yet smoother cut which is very gentle on the loaf.

Technical data:	DISKUS SBS
Max. slices/minute	130, optional 200
Cross section of product (mm/inch)	270 x 150
Infeed length (mm/inch)	350
Cutting thickness (mm/inch)	8/10/12 *
Housing dimensions (mm/inch)	
Width/Depth/Height	850 / 700 / 1.196
Operating voltage	230 V
Pre-fuse in the supply line	16 A
Connecting load (kW)	0,9
Weight (kg/lb)	201

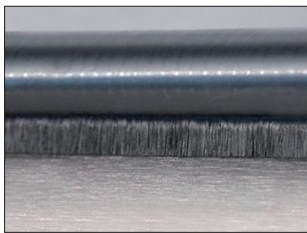
*other thicknesses on request, max. 3



Measurements of DISKUS SBS. – All measurements in mm.



The TREIF-made blade has a unique tothing and a special grinding finish. TREIF is the only manufacturer of bread slicers that manufactures the blades itself.



Slicing noises should not be disturbing in the self-service area. The noise-damping brushes (TREIF patent) ensure a smooth slicing sound.



Also available in the colour black.

nanoblade[®]
TREIF blade manufacturing

The benefits at a glance:

- **Multi-purpose bread slicer:** slices all loaf types (oven fresh) without blade lubrication
- **Reliable safety system** with automatic gripping of the bread, automatic residual product ejection and safe cover locking; No access to the blade when the safety cover is open
- **GS approval mark (safety-tested to German standards)**
- **Proven hygienic design;** easy cleaning of the blade without dismantling
- **Smooth sound:** sound-optimised slicing thanks to noise-damping brushes (TREIF patent)
- **Long-term use of circular blade** thanks to a unique tothing and a special grinding finish; high quality standard due to own blade manufacturing (*nanoBlade*)
- **Machine delivery including:** blade guard; a pair of cut-resistant gloves and a blade-changing tool
- **standard accessories:** coiled cable for a better drivability of the machine; bread bag holder
- **Optional accessories:** storage for clips for sealing bread bags; handles for a better drivability of the machine

HEADQUARTERS:

TREIF Maschinenbau GmbH
Toni-Reifenhäuser-Str. 1
D-57641 Oberlahr
Phone +49 2685 944 0
Fax +49 2685 1025
E-Mail: info@treif.com

LOCATIONS:

TREIF USA Inc.
50 Waterview Drive, Suite 130
USA-Shelton CT 06484
Tel. +1 203 929 9930
Fax +1 203 929 9949
E-Mail: treifusa@treif.com

TREIF U.K. Ltd.
4 Europa Park
Croft Way Eastways
GB-Witham Essex CM 8 2FN
Tel. +44 1376 504060
Fax +44 1376 504070
E-Mail: info@treif.co.uk

Belgium

China

France

Italy

Russia

www.treif.com